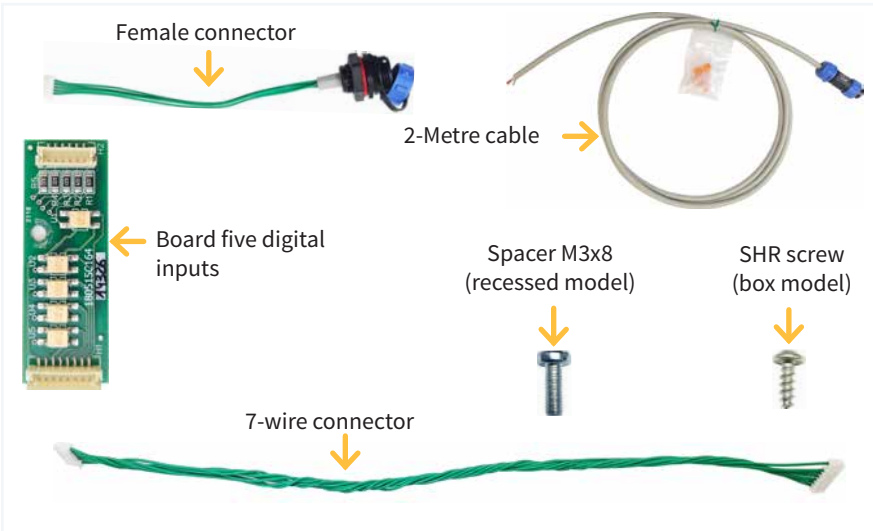


# Expansion installation 5 digital inputs

## SUPPLIED MATERIAL

CODE 06670556

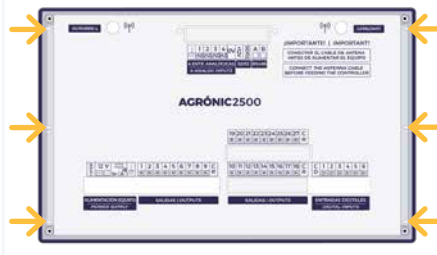


- Board 5 digital inputs
- 1 SHR screw (for box model)
- 1 spacer 7 mm (for recessed model)
- Female connector + 5 green wires
- Connector with 7 green wires
- 2-Metre cable for connection

## RECESSED FORMAT ASSEMBLY

**1** Disconnect power from the controller.

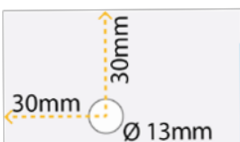
**2** Remove the six side screws.



**3** Separate the keyboard from the drawer.



**4** If you do not have the drawer with the standard punching, make the hole according to the following drawing.



Side to be machined



**5** If you have the adapted drawer, break the hole already punched.



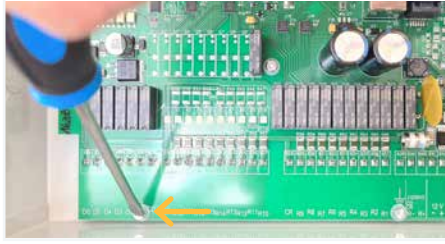
**6** Pass the cable through the hole respecting the flat area of the connector.



**7** Screw the nut on the inside of the controller.



**8** Unscrew the screw from the relay motherboard.



**9** Position the plate and insert the supplied M3x8 screw.



**10** Connect the 5-wire multi-wire cable (round connector) to the digital input board.



**11** Connect the 7-wire multi-wire cable between the relay board and the digital input board, as shown in the image.



**12** Close the controller and replace the six screws removed in step 2.

Connect the extension cables according to the following colour table:

Wire colour	Digital input
White	7
Pink	8
Grey	9
Yellow	10
Brown	11
CD on the motherboard	Common Inputs

## BOX FORMAT ASSEMBLY

- 1 Disconnect power from the controller.

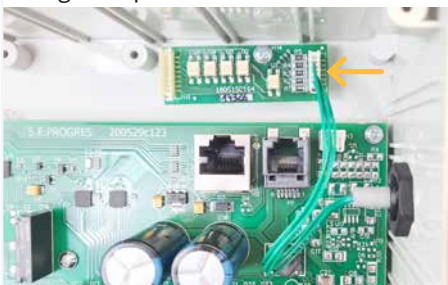
- 4 Make a 13 mm hole according to the measurements indicated.



- 7 Pass the cable (round connector) through the hole.



- 10 Connect the 5-wire multi-wire cable (round connector) to the digital input board.



- 2 Remove the four screws.



- 5 Use a chisel to remove the burr so that the nut can be screwed.



- 8 Screw the nut on the inside of the controller.



- 11 Connect the 7-wire multi-wire cable between the relay board and the digital input board, as shown in the image.



- 3 Lift up the keyboard and remove the two boards from the controller.



- 6 Mount the relay board and replace the screws.



- 9 Position the new plate and screw in the supplied screw.



- 12 Close the equipment and replace the four screws removed in step 2.

**Sistemes Electrònics Progrés, S.A.**

Polígon Industrial, C/ de la Coma, 2 | 25243 El Palau d'Anglesola | Lleida | España  
Tel. 973 32 04 29 | [info@progres.es](mailto:info@progres.es) | [www.progres.es](http://www.progres.es)