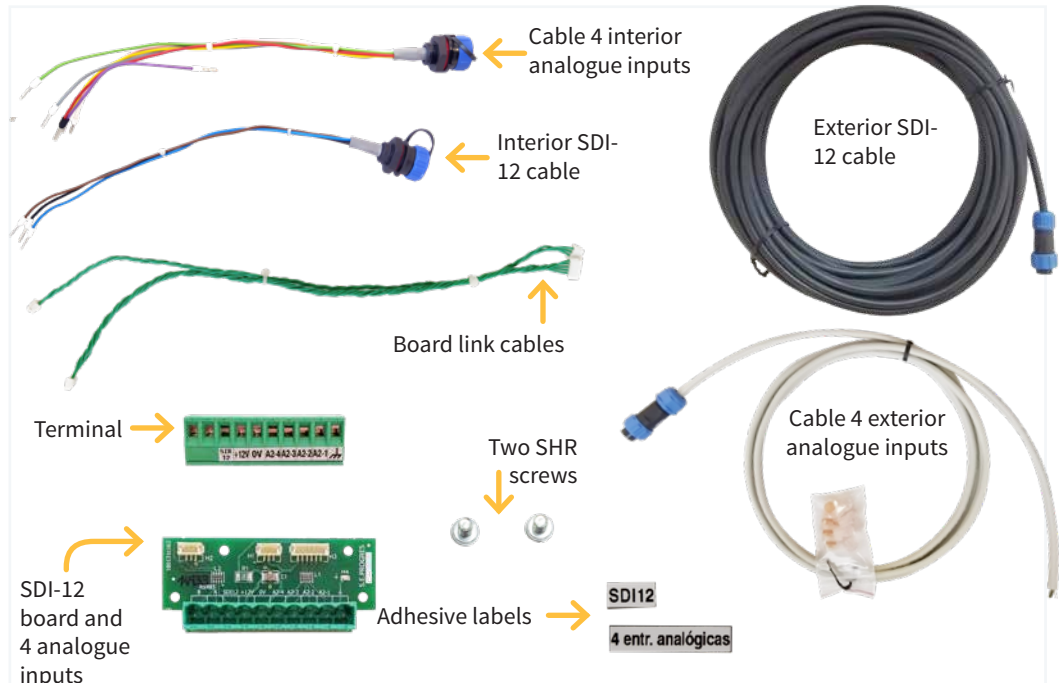


# Installation option SDI-12 + 4 analogue inputs

## SUPPLIED MATERIAL

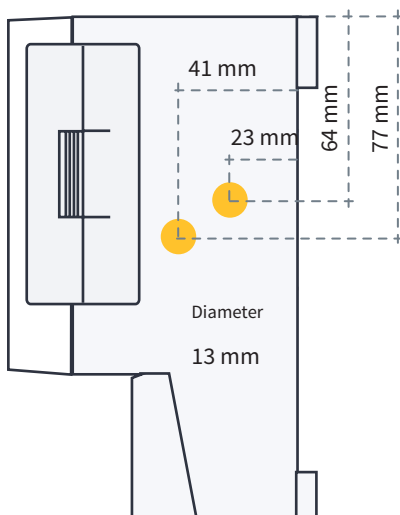
- Interior SDI-12 cable
- Exterior SDI-12 cable
- Cable 4 interior analogue inputs
- Cable 4 exterior analogue inputs
- SDI-12 board and 4 analogue inputs
- Terminal
- Board link cables
- Two SHR screws
- Adhesive labels
- Template for holes



## BOX FORMAT ASSEMBLY

- 1 Disconnect power from the controller.

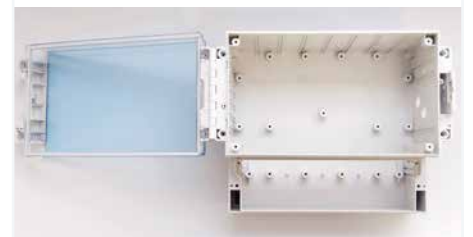
- 4 Make two holes in the box as shown in the image using the attached template.



- 2 Remove the four screws that hold the keyboard.



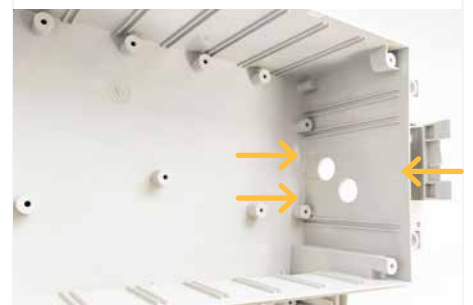
- 3 Unscrew and remove the two plates from the controller.



### IMPORTANT

Use a template to make the holes. If the holes are not made exactly as they should be, the components will not fit.

- 5 Remove the three inner bars on the right side of the drawer with a chisel/file, as shown in the image.



**6** Pass the SDI-12 cable through the hole closest to the bottom of the box. The straight sides should be parallel to the bottom of the box.



**7** IMPORTANT: On the inside, the black notch should be parallel to the bottom of the box.



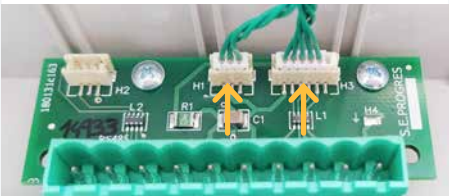
**9** Pass the second cable following the same indications as the first.



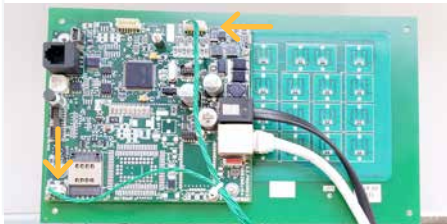
**10** It is recommended to fasten the inner notches with a little glue to prevent them from moving when screwed on the outside.



**12** Connect the board link cable to the SDI-12 board and 4 analogue inputs.



**13** Connect the other side of the link board cable to the keyboard board.



**15** Reconnect the cables between the two boards.



**16** Connect the terminal to the SDI-12 board and 4 analogue inputs.



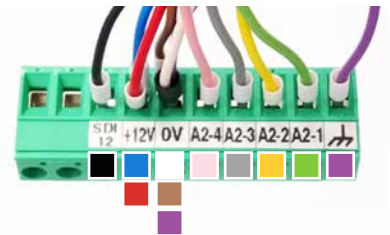
**8** Replace the base plate and its five screws back in the controller.



**11** Assemble the SDI-12 board and four analogue inputs with the two SHR screws.



**14** Connect the coloured cables to the terminal as shown in the image:



**17** Close the controller by refitting the four screws removed at point 2.

**18** If the Plus option is not showing on the controller, it must be activated. If all steps have been completed, the installation is complete. Finally, configure the controller referring to the A-2500 Plus manual and the SDI-12 option manual.

## RECESSED FORMAT ASSEMBLY

For the recessed format, follow the same steps as the box format, changing points 4 and 11 to:

**4** Break the die with a gentle strike using a screwdriver or similar.



**11** Assemble the SDI-12 board and four analogue inputs with the two SHR screws.



### IMPORTANT

Put insulating tape on the sheet, between the drawer and the plate. Bend the ground cable terminal of the SDI-12 board and four analogue inputs so that it is in contact with the drawer.

# SDI-12 hole template + four analogue inputs

## RIGHT SIDE

