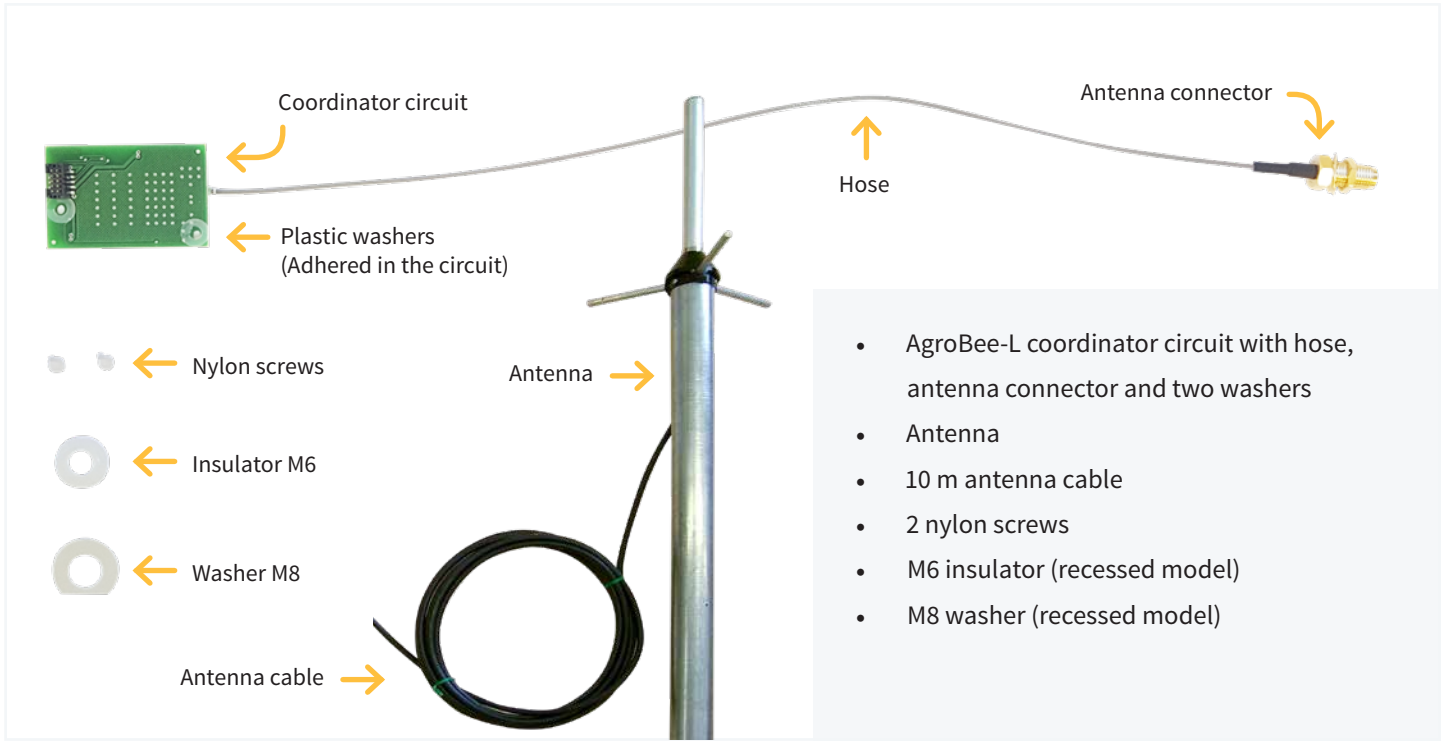


SUPPLIED MATERIAL



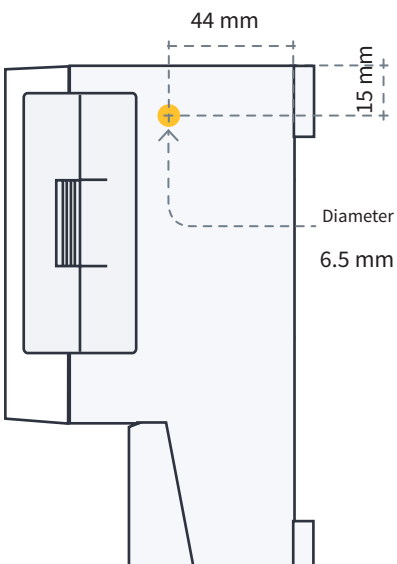
BOX FORMAT ASSEMBLY

1 Disconnect power from the controller.

2 Remove the four screws that hold the keyboard.

3 Lift the keyboard and disconnect the two cables that connect the keyboard circuit to the output circuit.

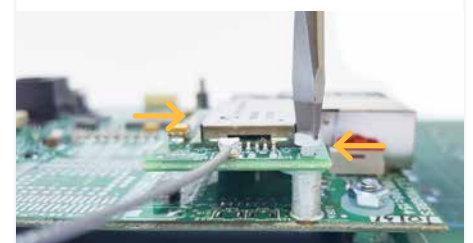
4 Make a hole on the right side as shown in the image.



5 Place the coordinating circuit at the point shown behind the keyboard.



6 Screw the circuit with the two nylon screws.



- 7** Place the antenna connector in the hole made and secure it with a glow washer and a nut.



- 8** Reconnect the cables disconnected in point 3.



- 9** Close the controller by placing the screws and connect the antenna cable and the antenna.



- 10** Place the antenna at a high point to achieve correct coverage.



- 11** Power the controller and configure it using the manual provided "AgroBee-L User Manual - Configuration and query for Agrónic 2500 and Agrónic 5500".

- 12** The installation of the AgroBee-L coordinator circuit is now complete.

IMPORTANT

Do not power the controller without first having connected the antenna, as the coordinator may be damaged.

RECESSED FORMAT ASSEMBLY

For assembling the recessed format, follow the same steps as for the box format, changing points 4 and 7 to:

- 4** In the recessed format, the hole is already made and is located at the back of the metal drawer.



- 7** To place the antenna connector, place the M8 washer inside the box and the M6 insulator outside, then place the glow washer and nut.



Sistemes Electrònics Progrés, S.A.