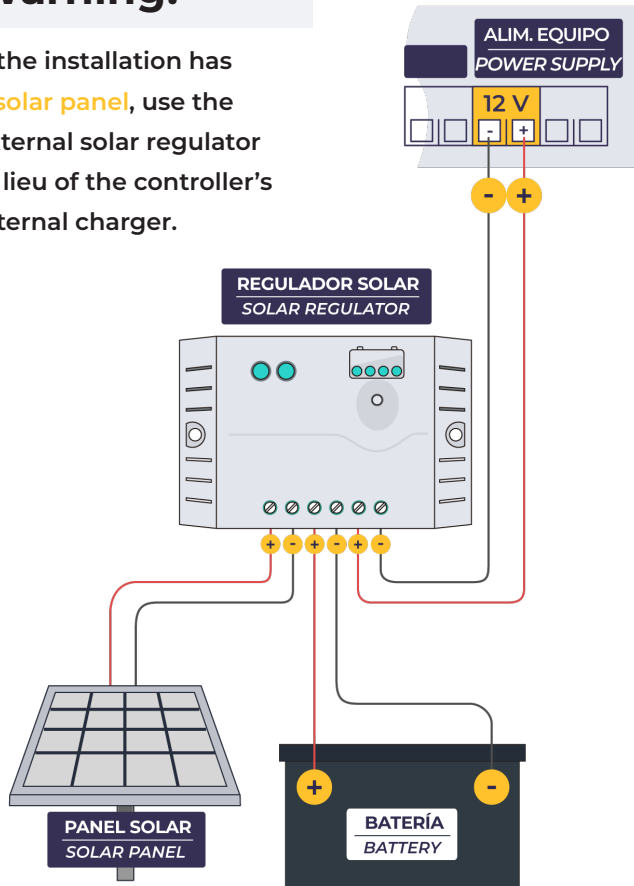
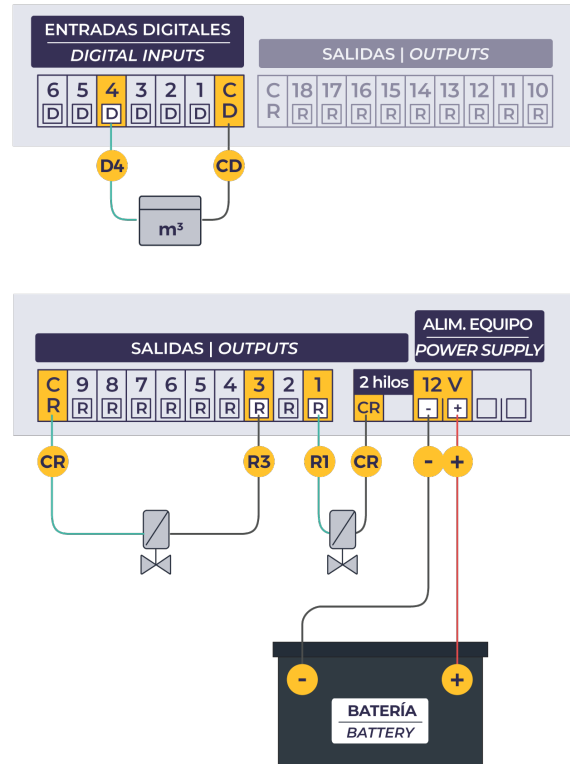


Warning!

If the installation has a solar panel, use the external solar regulator in lieu of the controller's internal charger.



Wiring and power supply diagram for an Agrónic 2500 Latch 2 wires



Wiring and power supply diagram for an Agrónic 2500 Latch 3 wires

