

DESCRIPTION:

CODE: 06140233

Sensor to read the direction of the wind.

It's equipped with more than a transmitter providing an output signal of 4-20 mA.

It can be connected to any set equipped with analog inputs (programmers Agrónic 4000, Agrónic 2500, Agrónic Bit, Agrónic 5500 and Agrónic 7000) and to external modules (Agrónic Monocable, Agrónic Radio and AgroBee).

Fastened to a flat surface through 3 holes.



TECHNICAL CHARACTERISTICS:

Power supply	12 ~ 30 Vdc
Resolution	22,5 °
Start speed	3 km/h
Response time	2 seconds
Charge resistance	< 200 Ω (Vdc = 12 V)
Cable length	2.5 meters
Degree of protection	IP65
Size	Height: 185 mm Length: 128 mm
Weight	200 grams (without cable)

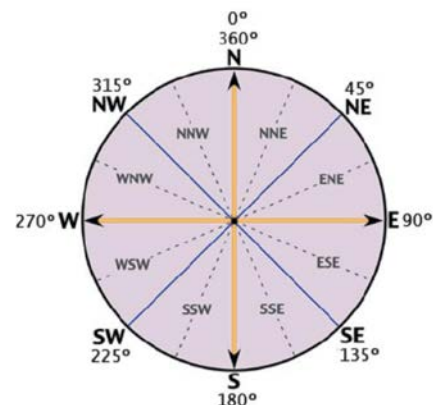


This symbol indicates that electric and electronic devices must not be discarded alongside the domestic waste at the end of their working life. The product must be taken to the corresponding collection point for its recycling and for the adequate treatment of electronic equipment according to the national legislation.

FUNCTIONING:

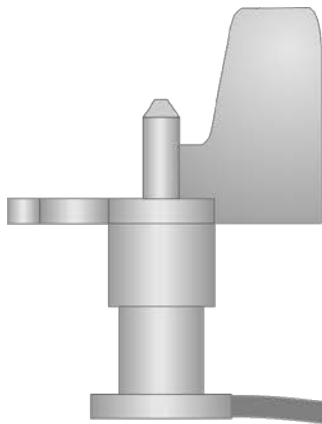
The following table defines the equivalence between the wind direction angle and the analog output reading of the sensor

Direction	Angle (°)	Output (mA)
North	0,0	4
North-northeast	22,5	5
Northeast	45,0	6
East- northeast	67,5	7
East	90,0	8
East-southeast	112,5	9
Southeast	135,0	10
South-southeast	157,5	11
South	180,0	12
South-southwest	202,5	13
Southwest	225,0	14
West-southwest	247,5	15
West	270,0	16
West-northwest	292,5	17
Northwest	315,0	18
North- northwest	337,5	19

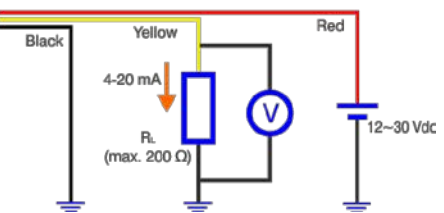


INSTALLATION:

The **wind vane** will be fastened in such a way that **oriented towards the North** it gives a reading of **0 °** (4 mA).



Red: Positive power supply sensor (12~30 Vdc)
Black: Common power supply sensor (0 V)
Yellow: Sensor output 4-20 mA

**Sistemes Electrònics Progrés, S.A.**

Polígon Industrial, C/ de la Coma, 2
25243 El Palau d'Anglesola | Lleida | España
Tel. 973 32 04 29 | info@progres.es
www.progres.es